

BC SYSTEMS INC.

200 Belle Mead Road Setauket, NY 11733

631-751-9370

BC122 Series

Dual Output, DC/DC Converters



DESCRIPTION

The BC122 Series of DC/DC converters feature high power density over the full military temperature range. This series is offered as part of a complete family of converters providing single and dual output voltages and operating from nominal +28 volt input with output power ranging from 60 to 120 watts. The dual output converters feature two separately trimmable independently regulated outputs. For applications requiring higher output power, individual converters can be operated in parallel. The internal current sharing circuits assure accurate current distribution among paralleled converters. This series incorporates a proprietary control technology which provides extremely high speed dynamic line and load regulation response. Multiple converters can be synchronized to a system clock in the 500 KHz to 700 KHz range or to the synchronization output of one converter. Undervoltage lockout, primary and secondary referenced inhibit, overload protection, overvoltage protection and output trim functions are provided on all models.

These converters are hermetically packaged with rugged lead-to-package seals assuring long term hermeticity in the most harsh environments.

Manufactured in a facility qualified to ISO 9001, these converters are available in most popular output voltages. Variations in electrical and mechanical specifications can be accommodated. Contact BC Systems, Inc. with specific requirements.



FEATURES

- ◆ 17 to 41 Volt Input Range
- ◆ Input Transient to 45 VDC
- ◆ ± 5 , ± 12 , and ± 15 Volt Outputs Available
- ◆ 15 μ Sec load transient response, 25% to 100% load step. 70 KHz effective loop bandwidth
- ◆ High Power Density - up to 70 W / in³
- ◆ Up to 120 Watt Output Power
- ◆ Parallel Operation with Power Sharing
- ◆ Low Profile (0.40") Package
- ◆ Two Independently Regulated Outputs
- ◆ High Efficiency
- ◆ Full Military Temperature Range
- ◆ Continuous Short Circuit and Overload Protection
- ◆ Overvoltage Protection for Each Output
- ◆ Output Voltage Trim for Each Output
- ◆ Primary and Secondary Referenced Inhibit Functions
- ◆ Line Rejection > 80 dB
- ◆ External Synchronization Input
- ◆ Single Output Versions Available

SPECIFICATIONS

ABSOLUTE MAXIMUM RATINGS	
Input Voltage	-0.5V to 500V
Soldering Temperature	300° C for 10 seconds
Case Temperature	Operating -55°C to +100 °C
	Storage -65°C to +135°C

Static Characteristics $-55^{\circ}\text{C} \leq T_{\text{CASE}} \leq +100^{\circ}\text{C}$, $160 \leq V_{\text{IN}} \leq 400$ unless otherwise specified.

Parameter	Test Condition	Min	Nom	Max	Unit		
INPUT VOLTAGE	Continuous	17	28	41	V		
	Surge 50 mSec Max			45	V		
OUTPUT VOLTAGE	Vin = 28 Volts, 100% Load	BC122-05D	Positive Output	4.95	5.00	5.05	V
			Negative Output	-5.05	-5.00	-4.95	V
		BC122-12D	Positive Output	11.88	12.00	12.12	V
			Negative Output	-12.12	-12.00	-11.88	V
		BC122-15D	Positive Output	14.85	15.00	15.15	V
			Negative Output	-15.15	-15.00	-14.85	V
OUTPUT CURRENT		BC122-05D	Positive Output		20	A	
			Negative Output		4	A	
		BC122-12D	Positive Output		10	A	
			Negative Output		3	A	
		BC122-15D	Positive Output		8	A	
			Negative Output		3	A	
OUTPUT POWER	Total of Both Outputs.	BC122-05D	100		W		
		BC122-12D	120		W		
		BC122-15D	120		W		
MAXIMUM CAPACTIVE LOAD	Each Output	5,000			ufd		
OUTPUT VOLTAGE TEMPERATURE COEFFICIENT	Vin = 28 Volts, 100% Load	-0.015		+0.015	%/°C		
OUTPUT VOLTAGE REGULATION	Line Regulation	No Load, 50% Load, 100% Load			+0.5	%	
					+0.5	%	
	Load Regulation	Vin = 17, 28, 41 Volts					
	Cross Regulation	Vin = 17, 28, 41 Volts, Note 6	Positive Output	-0.5		+0.5	%
			Negative Output	-0.5		+0.5	%
OUTPUT RIPPLE VOLTAGE	Vin = 17, 28, 41 Volts, 100% Load BW = 20 MHz	BC122-05D		30	50	mVpp	
		BC122-12D		70	120	mVpp	
		BC122-15D		80	150	mVpp	

Static Characteristics (continued)

Parameter	Test Condition	Min	Nom	Max	Unit
INPUT CURRENT	No Load			10	mA
	Inhibit 1 Inhibit 2			12 5 5	mA mA mA
INPUT RIPPLE CURRENT	Vin = 28 Volts, 100% Load BW = 20 MHz				
	BC122-05D			60	marms
	BC122-12D			70	marms
	BC122-15D			80	marms
CURRENT LIMIT POINT Expressed as a Percentage of Full Rated Load	Each Output. Note 4	105		130	%
LOAD FAULT POWER DISSIPATION Overload or Short Circuit	Vin = 28 Volts			3	W
EFFICIENCY	Vin = 28 Volts, 100% Load				
	BC122-05D	77	79		%
	BC122-12D	81	84		%
	BC122-15D	82	85		%
INHIBIT INPUTS	Converter Off Sink Current Converter On	Logical Low, Pin 4 or Pin 12 Open Circuit, Pin 4 and Pin 12, Note 7			
		-0.5		0.8 400	V uA
OVERVOLTAGE THRESHOLD Expressed as percentage of nominal output voltage	Each output	115		130	%
OUTPUT VOLTAGE TRIM Expressed as percentage of nominal output voltage	Each output	-10		+10	%
SWITCHING FREQUENCY		500	550	600	KHz
SYNCHRONIZATION INPUT	Frequency Range Pulse Amplitude, Hi Pulse Amplitude, Lo Pulse Rise Time Pulse Duty Cycle	500 2.0 -0.5 20		700 10 0.8 100 80	KHz V V nSec %
ISOLATION	Input to Output @ 500 VDC Input to Case @ 500 VDC Output to Case @ 100VDC	100 100 100			MΩ
DEVICE WEIGHT			60		gms
HERMETICITY	Tested to MIL-R-83726				
MTBF	MIL-HDBK-217F, AIF @ Tc=70°C	300			KHrs

Dynamic Characteristics $-55^{\circ}\text{C} \leq T_{\text{CASE}} \leq +100^{\circ}\text{C}$, $V_{\text{IN}} = 28$ Volts unless otherwise specified.

Parameter	Test Condition	Min	Nom	Max	Unit
LOAD TRANSIENT RESPONSE	Note 1,5				
BC122-05D Positive Output Amplitude Recovery	Load step 25% \Leftrightarrow 100%	-300	15	+400 25	mV μ Sec
BC122-05D Negative Output Amplitude Recovery	Load step 25% \Leftrightarrow 100%	-400	15	+300 25	mV μ Sec
BC122-12D Positive Output Amplitude Recovery	Load step 25% \Leftrightarrow 100%	-400	15	+600 25	mV μ Sec
BC122-12D Negative Output Amplitude Recovery	Load step 25% \Leftrightarrow 100%	-600	15	+600 25	mV μ Sec
BC122-15D Positive Output Amplitude Recovery	Load step 25% \Leftrightarrow 100%	-600	15	+600 25	mV μ Sec
BC122-15D Negative Output Amplitude Recovery	Load step 25% \Leftrightarrow 100%	-600	15	+600 25	mV μ Sec
LINE TRANSIENT RESPONSE	Note 1,2				
Amplitude Recovery	Vin Step = 17 \Leftrightarrow 41 Volts	-500	25	+500	mV μ Sec
TURN-ON CHARACTERISTICS	Note 3				
Overshoot	Enable 1,2 on (Pins 4,12 open)			100	mV
Delay		50	70	90	mSec
LOAD FAULT RECOVERY		60	80	100	mSec
LINE REJECTION	MIL-STD-461D, CS101, 30Hz to 50KHz	70	80		dB

Notes to Specifications:

1. Recovery time is measured from the initiation of the transient to where V_{OUT} has returned to within $\pm 1\%$ of V_{OUT_i} .
2. Line transient transition time $\geq 10 \mu\text{Sec}$.
3. Turn-on delay is measured with an input voltage rise time of between 100 and 500 volts per millisecond.
4. Current limit point is that condition of excess load causing output voltage to drop to 90% of nominal.
5. Load transient transition time $\geq 10 \mu\text{Sec}$.
6. Cross regulation measured with load on tested output at 20% while changing the load on other output from 20% to 80%.
7. Enable inputs pulled high internally. Nominal open circuit voltage for Pin 4 and Pin 12 is 14VDC and 1.2VDC respectively. Note that Pin 12 doubles as trim pin for negative output. Open collector Enable must be used so as not to disrupt the trim function.

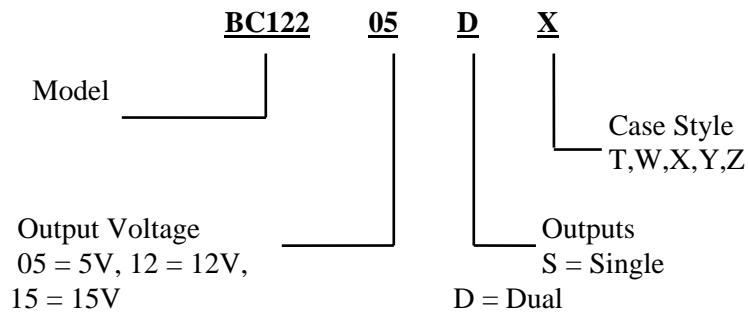
BC12XXD Pin Designation

1	Positive Input
2	Input Return
3	Case
4	Enable 1
5	Sync Output
6	Sync Input
7	Positive Output
8	Output Return
9	Negative Output
10	Positive Output Voltage Trim
11	Share
12	Enable 2/Neg Output Voltage Trim

Environmental Stress Screening

Each DC/DC converter undergoes 15 minutes of .04G²/Hz random vibration, followed by ten thermal cycles. Each thermal cycle consists of a cold soak at -55°C (de-energized) followed by a ramp-up to 100°C baseplate temperature at full load. The thermal cycle is completed by maintaining the baseplate temperature at 100°C at full load for a minimum of 4 hours.

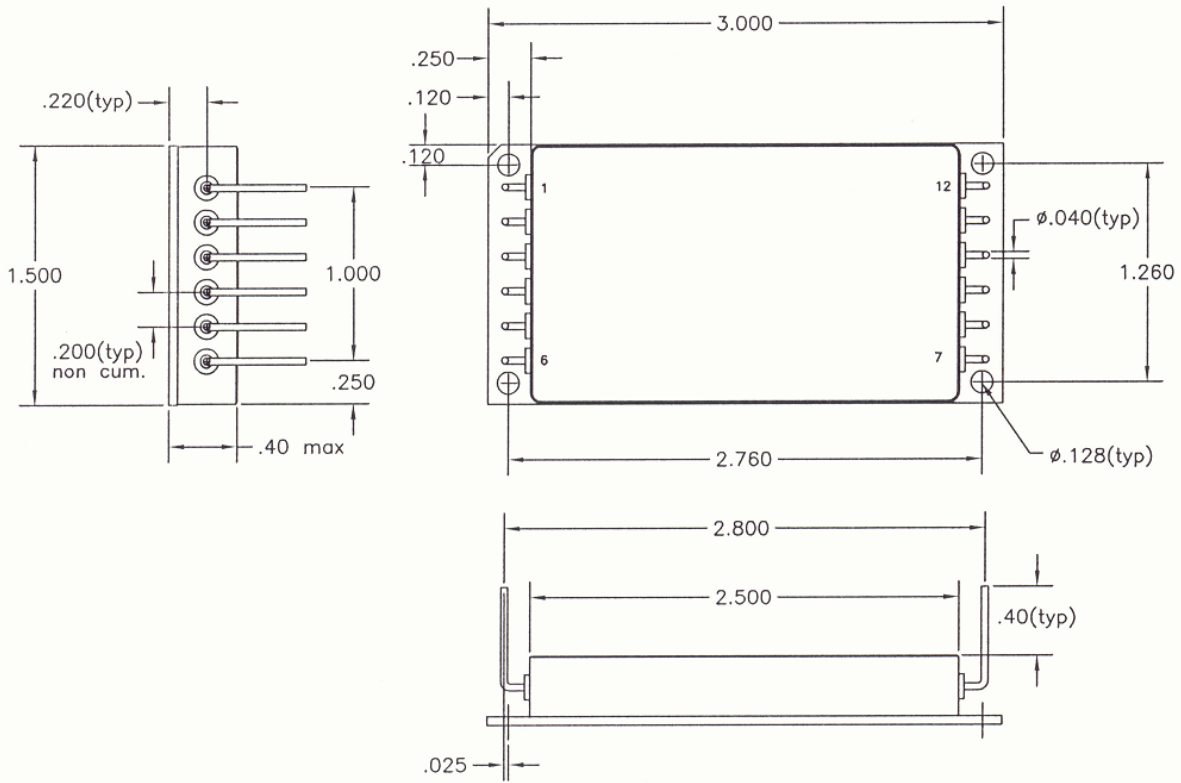
Part Numbering



TOLERANCES, UNLESS OTHERWISE SPECIFIED:
 .XX = ±.01
 .XX X = ±.005

BC-120D CASE OUTLINES

CASE T



CASE X

